

**Materials:**

**Cabin 12' x 24'**

**Roof and ladder**

**Framing:**

- 42 - 2 x 6 x 8' rafters
- 1 - 2 x 6 x 16' ridge board
- 1 - 2 x 6 x 10' ridge board
- 6 - 2 x 6 x 10' fascia
- 15 - 5/8" x 4 x 8 plywood
- 1 roll - 15 lb roof felt (432 sf)
- 4 boxes - button nail caps (for tarpaper)
- 9 - 10' wide, white, metal drip edge (long DL) (90 lf)
- 1 - roof boot for vent pipe
- 1 - wood stove pipe boot

**Shingles:**

- 5 1/3 sq - 25yr Royal Sovereign Golden Cedar 3-tab shingles
- 1 - 20' roll cobra roll out ridge vent
- 3 - 1 lb boxes 2" roofing nails
- 1 - 30 lb container 1 1/2" roofing nails

**Soffit/fascia:**

- 7 - 12' x 6" white metal fascia (84 lf)
- 4 - 12' x 12" white metal solid soffit (48 lf)
- 4 - 12' x 12" white metal perforated soffit (48 lf)
- 8 - 12' white F-channel (96 lf)

**Gutter:**

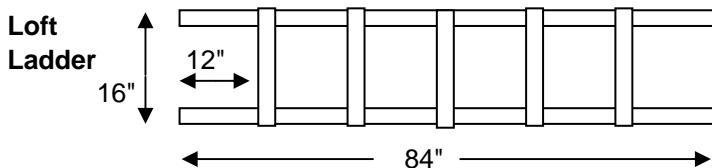
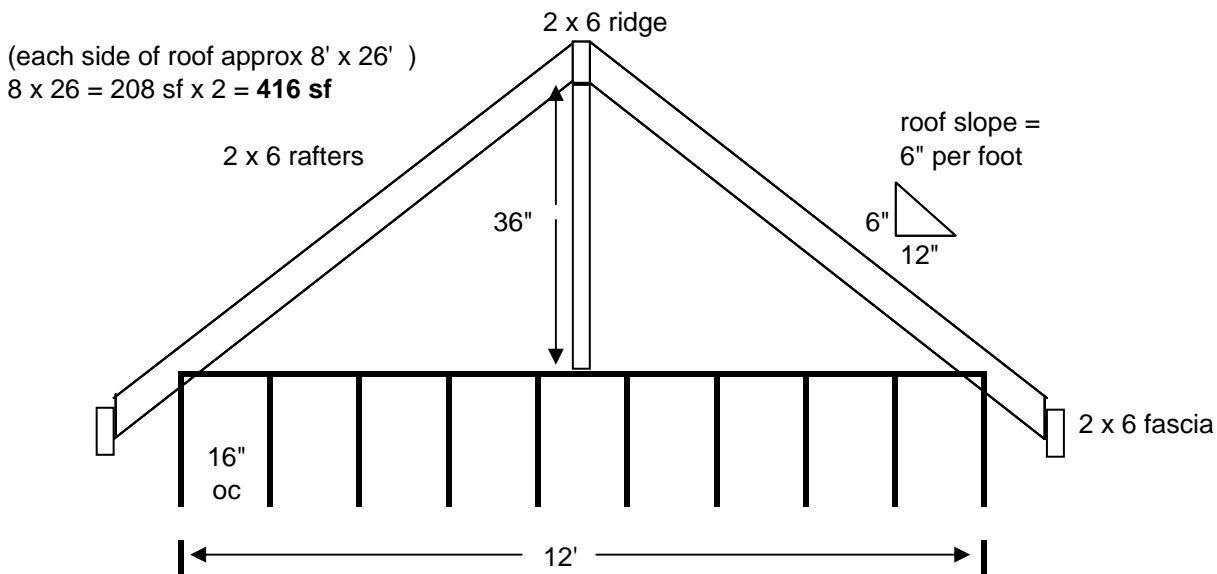
- 6 - 10' white gutter
- 4 - end caps (2 left, 2 right)
- 2 - downspout outlets
- 20 - mounting brackets w/screws
- 2 - 10' downspouts
- 2 - 15" downspout extensions
- 6 - 90 degree elbows

**Ladder:** 2 - 2 x 4 x 8'

- 1 - 2 x 3 x 8'

**Interior:**

- 384 sf - R-19 insulation (ceiling)



Bottom of rails 30 degrees  
 Top of rails 60 degrees  
 Rungs let-in to rails